



TARNOS

Electromagnetic Screening Feeders

For a controlled feeding and a precise classification

Tarnos Screening Feeders provide efficient, trouble-free operation for all types of screening applications. The thirteen Screening Feeder models range in size from a 3 inch screen for pharmaceutical and food processing applications to the 4-foot wide trough of the massive Model SF-660 unit used in basic industries.

All models are powered by highly-efficient electromagnetic drives. Unlike motor-driven screening equipment, these units have no moving parts such as eccentrics, bearings, gears or v-belts and, therefore, require no lubrication. The electromagnetic drives combine high-frequency vibration with low amplitude. This permits the handling of delicate materials with minimal product degradation.

The material flow rates of all Screening Feeders are easily regulated and varied. Each unit is furnished with a separate control to set the conveying speed for most effective screening.

Model SF Screening Feeders offer a wide selection of units for sizing, separating, dedusting and dewatering bulk materials. Models SF-TO1, SF-010, SF-152 and SF-212 are designed for efficient screening of fine mesh materials. The nine larger models provide high-tonnage separation, dedusting, desilting and dewatering of materials.

A special Light Capacity Screening Feeder used in the processing of pharmaceutical products, particularly in the dedusting of molded tablets is also available. Using all stainless steel construction, the screen is arranged in steps, providing agitation of the flow of tablets and assisting in dust removal through the screen openings into the trough bottom and discharge through the integral spout.

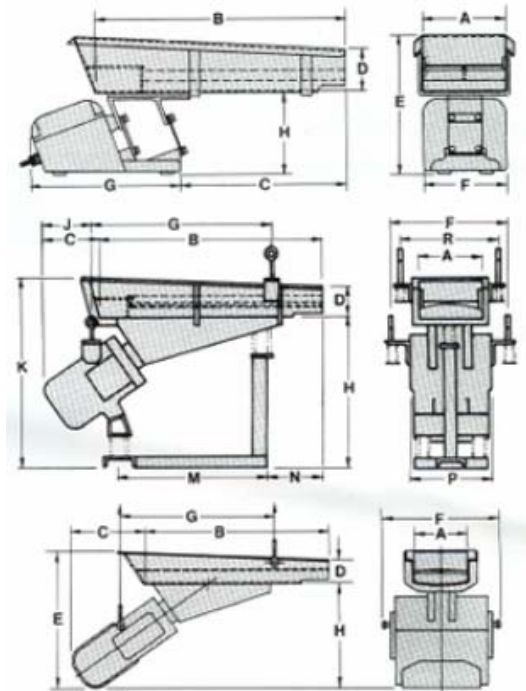
Only whole tablets, with dust and chips removed, pass over the screen to the next step in processing.



Screening feeders

Specifications and dimensions mm..

| Model | A | B | C | D | E | F | G | H | J | K | M | N | P |
|--------|------|------|------|-----|------|------|------|------|-----|-----|-----|-----|-----|
| SFT-01 | 76 | 381 | 248 | 76 | 229 | 127 | 232 | 152 | | | | | |
| | 152 | 254 | 120 | 76 | 229 | 127 | 232 | 152 | | | | | |
| SF-010 | 152 | 457 | 317 | 76 | 229 | 152 | 276 | 152 | | | | | |
| | 203 | 305 | 171 | 76 | 229 | 152 | 276 | 152 | | | | | |
| SF-152 | 152 | 610 | 136 | 76 | 305 | 505 | 330 | 114 | 457 | 406 | 162 | 222 | 273 |
| | 203 | 457 | 213 | 76 | 305 | 460 | 330 | 114 | 457 | 406 | 86 | 222 | 305 |
| SF-212 | 203 | 914 | 124 | 76 | 381 | 632 | 403 | 143 | 530 | 482 | 356 | 305 | 330 |
| | 305 | 610 | 276 | 76 | 381 | 619 | 403 | 143 | 530 | 482 | 200 | 305 | 432 |
| SF-220 | 305 | 1067 | 203 | 127 | 749 | 502 | 781 | 546 | | | | | |
| SF-280 | 356 | 1067 | 203 | 127 | 749 | 502 | 781 | 546 | | | | | |
| SF-330 | 457 | 1067 | 508 | 152 | 908 | 629 | 1041 | 679 | | | | | |
| SF-380 | 610 | 1067 | 508 | 152 | 908 | 667 | 1041 | 679 | | | | | |
| SF-440 | 610 | 1372 | 660 | 178 | 1162 | 965 | 1257 | 908 | | | | | |
| SF-450 | 762 | 1524 | 565 | 178 | 1137 | 965 | 1251 | 883 | | | | | |
| SF-480 | 762 | 1829 | 381 | 254 | 1232 | 965 | 1587 | 889 | | | | | |
| SF-560 | 914 | 1829 | 1041 | 305 | 1549 | 1613 | 1930 | 1245 | | | | | |
| SF-660 | 1219 | 1829 | 1048 | 305 | 1549 | 1613 | 1943 | 1245 | | | | | |
| SF-88 | 1372 | 1829 | 1118 | 305 | 1581 | 1613 | 1994 | 1276 | | | | | |



| Model | Power (W) | Input (Amp.) | Current | Net Weight (Kg) |
|--------|-----------|--------------|-------------|-----------------|
| SFT-01 | 20 | 0,8 | 220 v 50 Hz | 15 |
| SF-010 | 50 | 2,4 | | 20 |
| SF-152 | 100 | 2,4 | | 39 |
| SF-212 | 125 | 4 | | 73 |
| SF-280 | 550 | 7 | 380 v 50 Hz | 214 |
| SF-330 | 950 | 15 | | 436 |
| SF-380 | 1.250 | 20 | | 568 |
| SF-440 | 2.200 | 22 | | 1068 |
| SF-450 | 2.350 | 28 | 380 v 50 Hz | 1500 |
| SF-480 | 3.300 | 35 | | 1909 |
| SF-560 | 2.900 | 30 | | 3272 |
| SF-660 | 3.300 | 35 | | 4182 |
| SF-88 | 4.600 | 60 | | 4818 |



CAUTION: These units are to be installed, operated and maintained in accordance with accompanying service instructions. Failure to follow these instructions may result in harm to people and/or things.

TARNOS

C/ Sierra de Gata, 23
 Polígono Industrial San Fernando II
 28830 San Fernando de Henares, Madrid (España)
 Teléfono: (34) 916564112
 Fax: (34) 916765285
<http://www.tarnos.com>
 e-mail: tarnos@tarnos.com

The characteristics stated in this catalogue may be changed by TARNOS without prior notice.

VIBRATORS - FEEDERS - SCREENS - VIBRATING SIEVES - CONVEYORS - SPIRAL FEEDERS - FOUNDRY SHAKEOUTS - FLOW SWITCHES - BIN
 VIBRATORS - VIBRATING TABLES - AUTOMATIC PARTS FEEDERS - DOSING EQUIPMENT - TRAVELLING WATER SCREENS

Buenas
Vibraciones



TARNOS

Alimentadores Tamizadores Electromagnéticos

*Para una alimentación
controlada y una clasificación
precisa*

Los Alimentadores-Tamizadores TARNOS, son un medio versátil para cribar desde finos productos farmacéuticos, alimentarios, reciclaje de diferentes productos, a gruesos bolos de carbón.

Los Alimentadores-Tamizadores Modelo SF ofrecen una amplia gama de equipos para clasificar, separar, desempolvar y escurrir gran diversidad de materiales.

Los Modelos más pequeños, SFT-01, SF-010, SF-152 y SF-212, están diseñados para un tamizado eficiente de materiales finos. Los diez Modelos restantes, se aplican para separación, desempolvado, eliminación de residuos y escurrido, de grandes caudales de materiales.

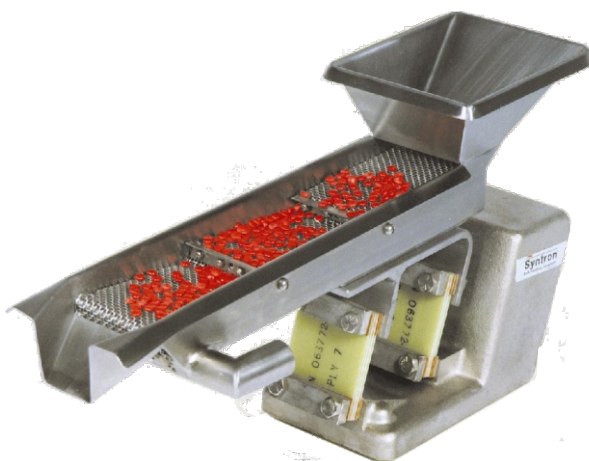
Los accionamientos electromagnéticos de todos los Modelos SF, combinan alta frecuencia de vibración con bajas amplitudes. Esto permite manejar productos delicados con el mínimo roce.

Como complemento a los Modelos convencionales, de una sola superficie de cribado, existen modelos con dos y tres superficies. Todos los modelos pueden suministrarse con diferentes medios de cribado como mallas de acero, parrillas calibradas o chapas perforadas. También se suministran con tapas, para aplicaciones estancas o con riesgo de contaminación exterior o interior.

Los equipos estándar se fabrican con bandejas en acero al carbón. Para la industria farmacéutica y alimentaria existen diseños especiales, de una gran limpieza, con bandejas en aceros inoxidable.

La regulación del caudal se realiza, de una forma sencilla, mediante el giro del reóstato del cuadro de mando, variando así la amplitud de vibración.

Los Alimentadores-Tamizadores funcionan a 110, 220 ó 380 voltios 50 Hz, monofásica, según el modelo.

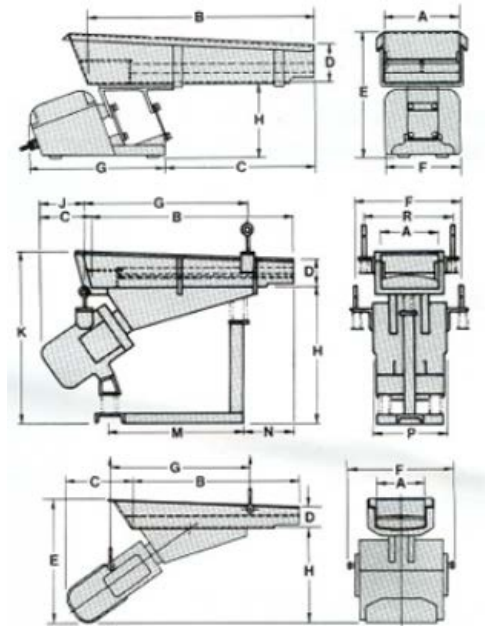


Syntron Material Handling

Alimentadores - Tamizadores Electromagnéticos

Especificaciones y Dimensiones (mm.)

| Modelo | A | B | C | D | E | F | G | H | J | K | M | N | P |
|--------|------|------|------|-----|------|------|------|------|-----|-----|-----|-----|-----|
| SFT-01 | 76 | 381 | 248 | 76 | 229 | 127 | 232 | 152 | | | | | |
| | 152 | 254 | 120 | 76 | 229 | 127 | 232 | 152 | | | | | |
| SF-010 | 152 | 457 | 317 | 76 | 229 | 152 | 276 | 152 | | | | | |
| | 203 | 305 | 171 | 76 | 229 | 152 | 276 | 152 | | | | | |
| SF-152 | 152 | 610 | 136 | 76 | 305 | 505 | 330 | 114 | 457 | 406 | 162 | 222 | 273 |
| | 203 | 457 | 213 | 76 | 305 | 460 | 330 | 114 | 457 | 406 | 86 | 222 | 305 |
| SF-212 | 203 | 914 | 124 | 76 | 381 | 632 | 403 | 143 | 530 | 482 | 356 | 305 | 330 |
| | 305 | 610 | 276 | 76 | 381 | 619 | 403 | 143 | 530 | 482 | 200 | 305 | 432 |
| SF-220 | 305 | 1067 | 203 | 127 | 749 | 502 | 781 | 546 | | | | | |
| SF-280 | 356 | 1067 | 203 | 127 | 749 | 502 | 781 | 546 | | | | | |
| SF-290 | 550 | 1000 | | 127 | 583 | 720 | | | | | | | |
| SF-330 | 457 | 1067 | 508 | 152 | 908 | 629 | 1041 | 679 | | | | | |
| SF-380 | 610 | 1067 | 508 | 152 | 908 | 667 | 1041 | 679 | | | | | |
| SF-440 | 610 | 1372 | 660 | 178 | 1162 | 965 | 1257 | 908 | | | | | |
| SF-450 | 762 | 1524 | 565 | 178 | 1137 | 965 | 1251 | 883 | | | | | |
| SF-480 | 762 | 1829 | 381 | 254 | 1232 | 965 | 1587 | 889 | | | | | |
| SF-560 | 914 | 1829 | 1041 | 305 | 1549 | 1613 | 1930 | 1245 | | | | | |
| SF-660 | 1219 | 1829 | 1048 | 305 | 1549 | 1613 | 1943 | 1245 | | | | | |
| SF-88 | 1372 | 1829 | 1118 | 305 | 1581 | 1613 | 1994 | 1276 | | | | | |



| Modelo | Potencia (W) | Intensidad (Amp.) | Tensión / Frecuencia | Peso (Kg) |
|--------|--------------|-------------------|----------------------|-----------|
| SFT-01 | 20 | 0,8 | 220 v 50 Hz | 15 |
| SF-010 | 50 | 2,4 | | 20 |
| SF-152 | 100 | 2,4 | | 39 |
| SF-212 | 125 | 4 | | 73 |
| SF-280 | 550 | 7 | 400 v 50 Hz | 214 |
| SF-290 | 750 | 13 | | 250 |
| SF-330 | 950 | 15 | | 436 |
| SF-380 | 1.250 | 20 | | 568 |
| SF-440 | 2.200 | 22 | | 1068 |
| SF-450 | 2.350 | 28 | | 1500 |
| SF-480 | 3.300 | 35 | 400 v 50 Hz | 1909 |
| SF-560 | 2.900 | 30 | | 3272 |
| SF-660 | 3.300 | 35 | | 4182 |
| SF-88 | 4.600 | 60 | | 4818 |



PRECAUCIÓN: Estos equipos deben instalarse, funcionar y mantenerse, de acuerdo con el MANUAL DE INSTRUCCIONES correspondiente. La falta de seguimiento de dichas instrucciones puede ocasionar un daño a personas y/o cosas.

TARNOS

C/ Sierra de Gata, 23 • 28830 San Fernando de Henares • Madrid - Spain
 Tel.: (+34) 91 656 41 12 • Fax: (+34) 91 676 52 85
tarnos@tarnos.com • <http://www.tarnos.com>

Las características de este catálogo pueden ser modificadas por TARNOS sin necesidad de notificación previa.

ALIMENTADORES - CRIBAS VIBRANTES - TRANSPORTADORES - TAMIZADORES - ELEVADORES HELICOIDALES - PRECRIBADORES - DESMOLDEADORES
 VIBRADORES ELECTROMAGNÉTICOS Y ROTATIVOS - DOSIFICADORES - MESAS VIBRANTES - INDICADORES DE NIVEL - FONDOS VIBRADOS...