

## Material Handling Solutions

### Syntron® Electromagnetic Vibrating Tables Settle and compact bulk materials in containers

Syntron® Vibrating Tables are designed to settle and compact dry bulk materials in various types of containers. Their application provides either a sizable increase in the net weight of the container or a reduction in the container size with subsequent savings in shipping and storage space.

Syntron Vibrating Tables are available in three types: electromagnetic, electromechanical and pneumatic. The choice of the proper type and model depends upon the characteristics of the materials or objects being handled and its reaction to vibration, the maximum weight to be handled and the type of container.

Syntron Electromagnetic Vibrating Tables are the most versatile and widely used Vibrating Tables in our line. The high-speed (3600 vpm) of these tables, coupled with a controlled low-amplitude that does not exceed 1/16-inch linear vibration, produces a gentle settling action. Through that action the coefficient of friction of the material is reduced. As the particles settle, the entrapped air is more readily removed.

The amplitude of the vibration can be regulated to suit the characteristics of the material being handled. The rheostat to control this is built into Models J-1 and J-50. These units are used primarily for laboratory and light duty packing applications. On the Models VP-51 through VP-500, the rheostat is part of a separate control box. This allows remote control, when desirable. Models VP-51 through VP-500 are heavy-duty industrial units, designed with sturdy steel framework and decks.



# Syntron® Electromagnetic Vibrating Tables

## Specifications

| Model  | Deck size (inches) | Capacity | Watts | Amps 115/60 | Shipping weight |
|--------|--------------------|----------|-------|-------------|-----------------|
| J-1    | 7 x 10             | 10 lbs   | 50    | 1.0         | 23 lbs          |
| J-50   | 14 x 20            | 50 lbs   | 40    | 4.0         | 100 lbs         |
| J-50   | 17 x 20            | 50 lbs   | 40    | 4.0         | 100 lbs         |
| VP-51  | 20 x 30            | 300 lbs  | 100   | 4.5         | 190 lbs         |
| VP-86  | 30 x 30            | 500 lbs  | 180   | 7.0         | 445 lbs         |
| VP-181 | 30 x 30            | 750 lbs  | 800   | 12.0*       | 605 lbs         |
| VP-500 | 32 x 40            | 1000 lbs | 2000  | 35.0*       | 2200 lbs        |

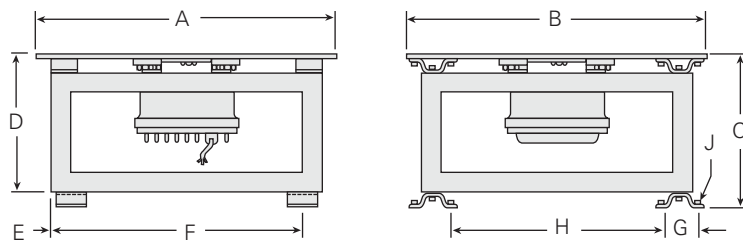
\* Amps at 230 volt, 60 cycle

## Dimensions (inches)

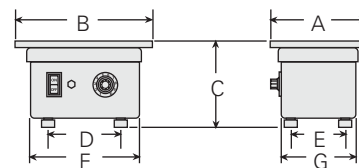
| Model          | A  | B  | C      | D      | E      | F      | G      | H       | J     |
|----------------|----|----|--------|--------|--------|--------|--------|---------|-------|
| J-1            | 7  | 10 | 6 1/8  | 6 3/4  | 3 1/2  | 8      | 5 1/2  | --      | --    |
| J-50 (14 X 20) | 14 | 20 | 7 1/2  | 9 5/8  | 11 5/8 | 13 5/8 | 15 5/8 | --      | --    |
| J-50 (17 X 22) | 17 | 22 | 7 5/8  | 9 5/8  | 11 5/8 | 13 5/8 | 15 5/8 | --      | --    |
| VP-51          | 20 | 20 | 10     | 8 5/8  | 1      | 17     | 3 9/16 | 11 1/16 | 13/32 |
| VP-86          | 30 | 30 | 15 1/8 | 13 3/4 | 2      | 23     | 3 9/16 | 21 7/16 | 13/32 |
| VP-181         | 30 | 30 | 21     | 19 5/8 | 2      | 23     | 3 9/16 | 21 1/2  | 3/8   |
| VP-500         | 40 | 32 | 27 3/4 | --     | --     | 32     | --     | 24 1/2  | 7/8   |

Have dimensions certified for installation purposes

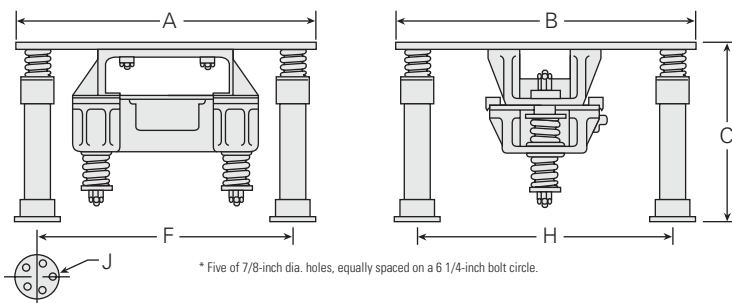
Models VP-51, VP-86, VP-181



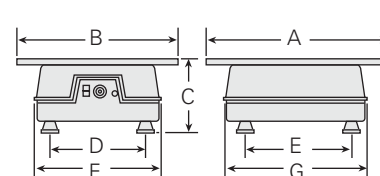
Model J-1



Model VP-500



Model J-50



**FMC Technologies**

**Material Handling Solutions**  
**FMC Technologies, Inc.**  
 57 Cooper Avenue  
 Homer City, Pennsylvania 15748  
 Telephone: 724/479-4500  
 Toll Free: 800/362-8999  
 Fax: 724/479-3400  
 Email: fmcyntron.info@fmcti.com  
 www.fmcyntron.com



Caution: Syntron® Electromagnetic Vibrating Tables must be installed, operated and maintained in accordance with accompanying FMC Technologies Service Instructions. Failure to follow these instructions can result in serious personal injury, property damage or both. FMC Technologies Service Instructions accompany the shipment of equipment. If additional copies are required, they are available, free of charge from Material Handling Solutions, FMC Technologies, Inc., Homer City, PA 15748.

Printed in U.S.A.  
 ©Copyright 2001 • FMC Technologies, Inc.  
 Form No. 011-HC-A