

Vibrating Screens Model CS

Aggregates • Quarries • Wood
Chemicals • Mining • Paper pulp



TARNOS

Vibrating Screens Model CS

Vibrating Screens Model CS



models

There are twenty-seven CS Screens models, with one, two or three screening decks. Depending on the needs of the process, they can have single, double or triple screening surfaces, and can take a wide variety of screening media.

The TARNOS CS Model Vibrating Screens are extremely versatile. They assure sizing, scalping, dewatering and rising of materials such as stone, coal, paper pulp and chemicals.

installation

Various mounting methods can be used:

- Inclined screen mounted on support structure
- Suspended screen
- A combination of the above (floor and ceiling mounting)

A four-point suspension systems efficiently isolates the support structure from loads transmission.

the screen's vibrator

The CS Vibrator has two independent, sturdy sets of double-roller bearings. Each oscillating bearing is cartridge mounted and sealed from abrasive and corrosive materials. The bearings may be lubricated using grease or oil, or else directly from the oil reservoir.

The improved design of the vibrator off-balance weights permits faster minor stroke adjustment. Counterweight protection guards are supplied as standard equipment.

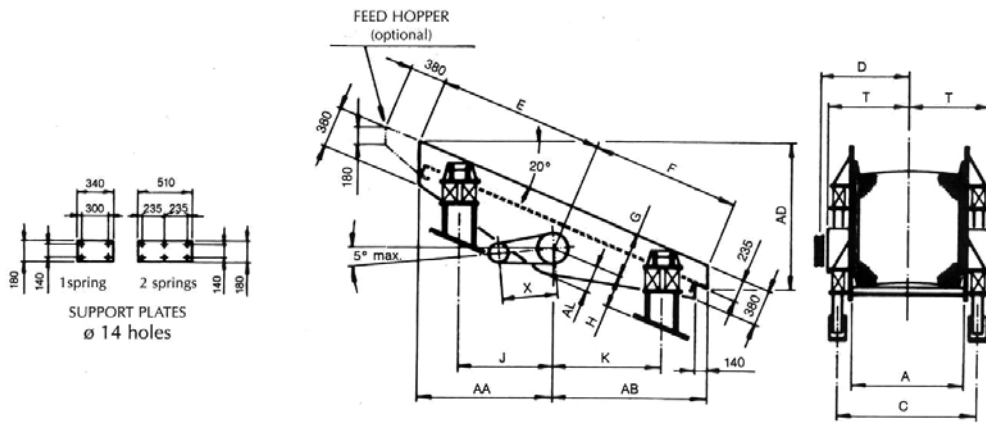
options

The CS screens may optionally be furnished with an enclosure that prevents dust dispersal. These stationary enclosures are completely isolated from vibration, maintaining their structural rigidity and making flexible connections at feed and discharge points unnecessary. Stationary hoppers and chutes for feeding, discharging and collecting fines are supplied with connection flange for easy attachment to other hoppers and conveyors.

The enclosures have panels that can easily be removed for maintenance work on the screen (see the figure on the last page).

To prevent the screen cloth becoming clogged by on-size particles bouncing-ball decks can be installed. These decks are mainly used when handling moist or wet materials.

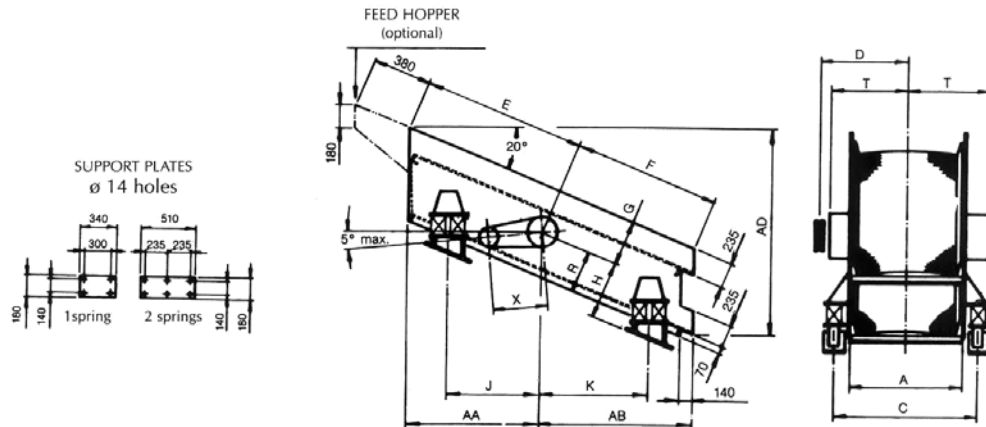
specifications and dimensions (mm)



Model CS one-deck	Type	H.P.	Vibr. weight Kg.	RPM	A	C	D	E	F	G	H	J	K	N	T	X	AA	AB	AD	AL
	CS 148	5,5	780	1040	1.219	1.471	920	1.412	1.257	463	355	721	850	1	787	825	1.169	1.339	1.163	280
	CS 1410	5,5	880	1040	1.219	1.471	920	1.716	1.561	463	350	1.006	1.136	1	787	825	1.454	1.625	1.371	280
	CS 1412	5,5	970	1040	1.219	1.471	920	2.020	1.865	463	343	1.292	1.422	1	787	825	1.740	1.910	1.579	280
	CS 1510	5,5	960	1040	1.524	1.776	1.070	1.716	1.561	463	350	1.006	1.136	1	940	825	1.454	1.625	1.371	280
	CS 1512	5,5	1.060	1040	1.524	1.776	1.070	2.020	1.865	463	362	1.292	1.422	1	940	825	1.740	1.910	1.579	280
	CS 1514	5,5	1.165	1040	1.524	1.776	1.070	2.324	2.169	463	438	1.578	1.707	2	940	825	2.026	2.196	1.787	370
	CS 1612	5,5	1.240	1040	1.829	2.081	1.225	2.020	1.865	463	362	1.292	1.422	1	1.092	825	1.740	1.910	1.579	280
	CS 1614	5,5	1.450	1040	1.829	2.081	1.225	2.324	2.169	463	432	1.578	1.707	2	1.092	825	2.026	2.196	1.787	370
	CS 1616	5,5	1.790	1040	1.829	2.081	1.225	2.628	2.473	463	463	1.863	1.993	2	1.092	825	2.312	2.481	1.995	400

N: Number of springs per support.

Allow 50 mm. vertical and 35 mm. clearance unless otherwise specified.

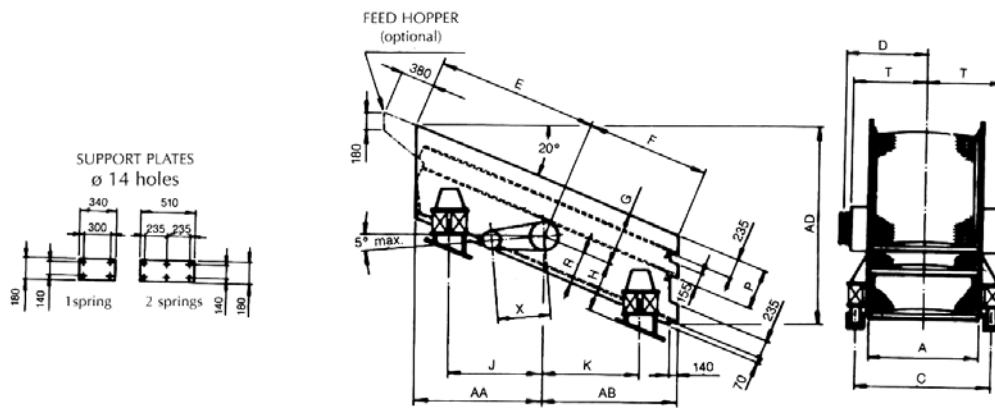


Model CS two-deck	Type	C.V.	Vibr. weight Kg.	RPM	A	C	D	E	F	G	H	J	K	N	R	T	X	AA	AB	AD
	CS 248	5,5	1.150	1040	1.219	1.471	920	1.412	1.244	463	535	721	850	1	413	787	825	1.169	1.327	1.766
	CS 2410	5,5	1.330	1040	1.219	1.471	920	1.716	1.550	463	545	1.006	1.136	1	413	787	825	1.454	1.615	1.975
	CS 2412	5,5	1.525	1040	1.219	1.471	920	2.020	1.857	463	610	1.292	1.422	2	452	787	825	1.740	1.903	2.226
	CS 2510	5,5	1.465	1040	1.524	1.776	1.070	1.716	1.550	463	545	1.006	1.136	1	413	940	825	1.454	1.615	1.975
	CS 2512	5,5	1.680	1040	1.524	1.776	1.070	2.020	1.857	463	610	1.292	1.422	2	452	940	825	1.740	1.903	2.226
	CS 2514	7,5	1.925	1040	1.524	1.776	1.070	2.324	2.163	502	565	1.565	1.720	2	413	940	825	2.012	2.204	2.435
	CS 2612	7,5	2.145	1040	1.829	2.081	1.225	2.020	1.857	463	610	1.292	1.422	2	452	1.092	825	1.740	1.903	2.226
	CS 2614	7,5	2.300	1040	1.829	2.081	1.225	2.324	2.163	502	565	1.565	1.720	2	413	1.092	825	2.012	2.204	2.435
	CS 2616	7,5	2.730	1040	1.829	2.085	1.225	2.628	2.466	502	630	1.850	2.006	2	476	1.092	825	2.298	2.489	2.709

N: Number of springs per support.

Allow 50 mm. vertical and 35 mm. clearance unless otherwise specified.

specifications and dimensions (mm)

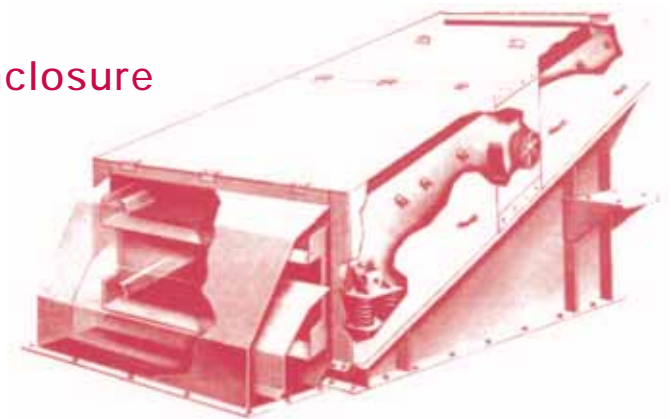


Model CS three-deck	Type	H.P.	Vibr. weight Kg.	RPM	A	C	D	E	F	G	H	J	K	N	P	R	T	X	AA	AB	AD
	peCS 348	5,5	1.500	1040	1.219	1.471	920	1.523	1.161	749	535	727	844	1	520	413	787	825	1.175	1.347	2.080
	CS 3410	5,5	1.740	1040	1.219	1.471	920	1.827	1.459	749	545	1.013	1.129	1	520	413	787	825	1.461	1.627	2.286
	CS 3412	7,5	2.095	1040	1.219	1.471	920	2.131	1.760	807	565	1.280	1.434	2	540	413	787	825	1.726	1.930	2.555
	CS 3510	7,5	1.945	1040	1.524	1.776	1.070	1.827	1.459	749	545	1.013	1.129	1	520	413	940	825	1.461	1.627	2.286
	CS 3512	7,5	2.335	1040	1.524	1.776	1.070	2.131	1.760	807	565	1.280	1.434	2	540	413	940	825	1.726	1.930	2.555
	CS 3514	7,5	2.535	1040	1.524	1.776	1.070	2.435	2.066	807	565	1.565	1.720	2	540	413	940	825	2.012	2.218	2.763
	CS 3612	7,5	2.780	1040	1.829	2.081	1.225	2.131	1.760	807	565	1.280	1.434	2	540	413	1.092	825	1.726	1.930	2.555
	CS 3614	10	3.015	1040	1.829	2.081	1.225	2.435	2.066	807	570	1.565	1.720	2	540	413	1.092	825	2.012	2.218	2.763
	CS 3616	15	3.885	920	1.829	2.085	1.310	2.739	2.374	838	595	1.838	2.018	2	540	445	1.147	840	2.287	2.518	3.040

N: Number of springs per support.

Allow 50 mm. vertical and 35 mm. clearance unless otherwise specified.

Model CS, with enclosure



CAUTION: These units are to be installed, operated and maintained in accordance with accompanying Service Instructions. Failure to follow these instructions may result in harm to people and/or things.

TARNOS

C/ Sierra de Gata, 23
 Pol. Industrial San Fernando II
 28850 Torrejón de Ardoz, Madrid, (Spain)
 Tel.: 34 916 564 112
 Fax.: 34 916 765 285
 www.tarnos.com
 e-mail.: tarnos@tarnos.com

The characteristics stated in this catalogue may be changed by Tarnos without prior notice.